

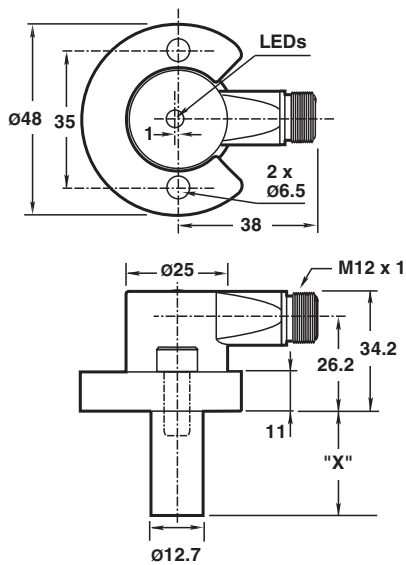
Inductive sensor NJ2-D-E02-2.062-V1

- 4-wire DC
- Weld Immune
- Sensing range 2 mm
- 3000 psi rating

Cylinder Position Switch



Dimensions



Technical Data

General specifications

| | | |
|----------------------------|-------|--------------------|
| Switching function | | Normally open (NO) |
| Output type | | PNP/NPN |
| Rated operating distance | s_n | 2 mm |
| Installation | | flush |
| Output polarity | | DC |
| Assured operating distance | s_a | 0 ... 1.62 mm |
| Reduction factor r_{AI} | | 0.4 |
| Reduction factor r_{304} | | 0.85 |
| Output type | | 4-wire |

Release date: 2022-05-19 Date of issue: 2022-05-19 Filename: 904467_eng.pdf

Refer to "General Notes Relating to Pepperl+Fuchs Product Information".

Pepperl+Fuchs Group
www.pepperl-fuchs.com

USA: +1 330 486 0001
fa-info@us.pepperl-fuchs.com

Germany: +49 621 776 1111
fa-info@de.pepperl-fuchs.com

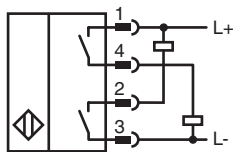
Singapore: +65 6779 9091
fa-info@sg.pepperl-fuchs.com

PF PEPPERL+FUCHS

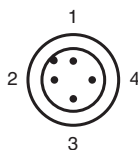
Technical Data

| Nominal ratings | | |
|--------------------------------|-------|----------------------------------|
| Operating voltage | U_B | 10 ... 30 V DC |
| Switching frequency | f | 30 Hz |
| Hysteresis | H | 10 ... 20 typ. 15 % |
| Reverse polarity protection | | yes |
| Short-circuit protection | | yes |
| Voltage drop | U_d | ≤ 2 V DC |
| Operating current | I_L | ≤ 200 mA |
| Off-state current | I_r | ≤ 100 μ A |
| No-load supply current | I_0 | ≤ 35 mA |
| Mag. Field strength, AC fields | | 250 mT |
| Mag. Field strength, DC fields | | 100 mT |
| Limit data | | |
| Operating pressure dynamically | | 3000 psi |
| Indicators/operating means | | |
| LED green | | Power on |
| LED yellow | | Output status |
| Standard conformity | | |
| Standards | | EN 60947-5-2 |
| Approvals and certificates | | |
| UL approval | | cULus Listed, General Purpose |
| CSA approval | | cCSAus Listed, General Purpose |
| Ambient conditions | | |
| Ambient temperature | | -25 ... 70 °C (-13 ... 158 °F) |
| Mechanical specifications | | |
| Connection type | | Connector plug M12 x 1 , 4-pin |
| Degree of protection | | IP67 |
| Material | | Housing: zinc Probe: aluminum |
| Note | | X = 2.062 in (52.4 mm) |

Connection



Connection Assignment



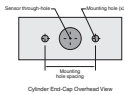
Connection Assignment

Wire colors in accordance with EN 60947-5-2

| | | |
|---|----|---------|
| 1 | BN | (brown) |
| 2 | WH | (white) |
| 3 | BU | (blue) |
| 4 | BK | (black) |

Additional Information


NPT Type Mounting Holes:
 1000 and 3000 psi NPT Types:
 Mounting hole screw thread shall be 1/4" - 20.
 Minimum thread engagement depth is 0.250" (6.35 mm)
 Hole spacing is 35 mm center to center.



Mounting Screws:
 Standard 1000 and 3000 psi models use two, self-locking 1/4" - 20 socket head cap screws (provided).
 Recommended tightening torque: 150 in lb (16.95 N-m).

Important: When using spacers, make certain to maintain the 0.250" (6.35 mm) minimum mounting screw thread engagement.

Accessories

| | | |
|-------------------------------------------------------------------------------------|------------------------------|-------------------------------------------------------------------------|
|  | V1-G-2M-PVC | Female cordset single-ended M12 straight A-coded, 4-pin, PVC cable grey |
| | SPACER 0.160 TO 0.375 | : Spacer for cylinder switches X.XXX" |
| | SPACER 0.380 TO 0.875 | : Spacer for cylinder switches X.XXX" |
| | SPACER 0.880 TO 1.750 | : Spacer for cylinder switches X.XXX" |

Release date: 2022-05-19 Date of issue: 2022-05-19 Filename: 904467_eng.pdf

Refer to "General Notes Relating to Pepperl+Fuchs Product Information".

Pepperl+Fuchs Group
 www.pepperl-fuchs.com

USA: +1 330 486 0001
 fa-info@us.pepperl-fuchs.com

Germany: +49 621 776 1111
 fa-info@de.pepperl-fuchs.com

Singapore: +65 6779 9091
 fa-info@sg.pepperl-fuchs.com